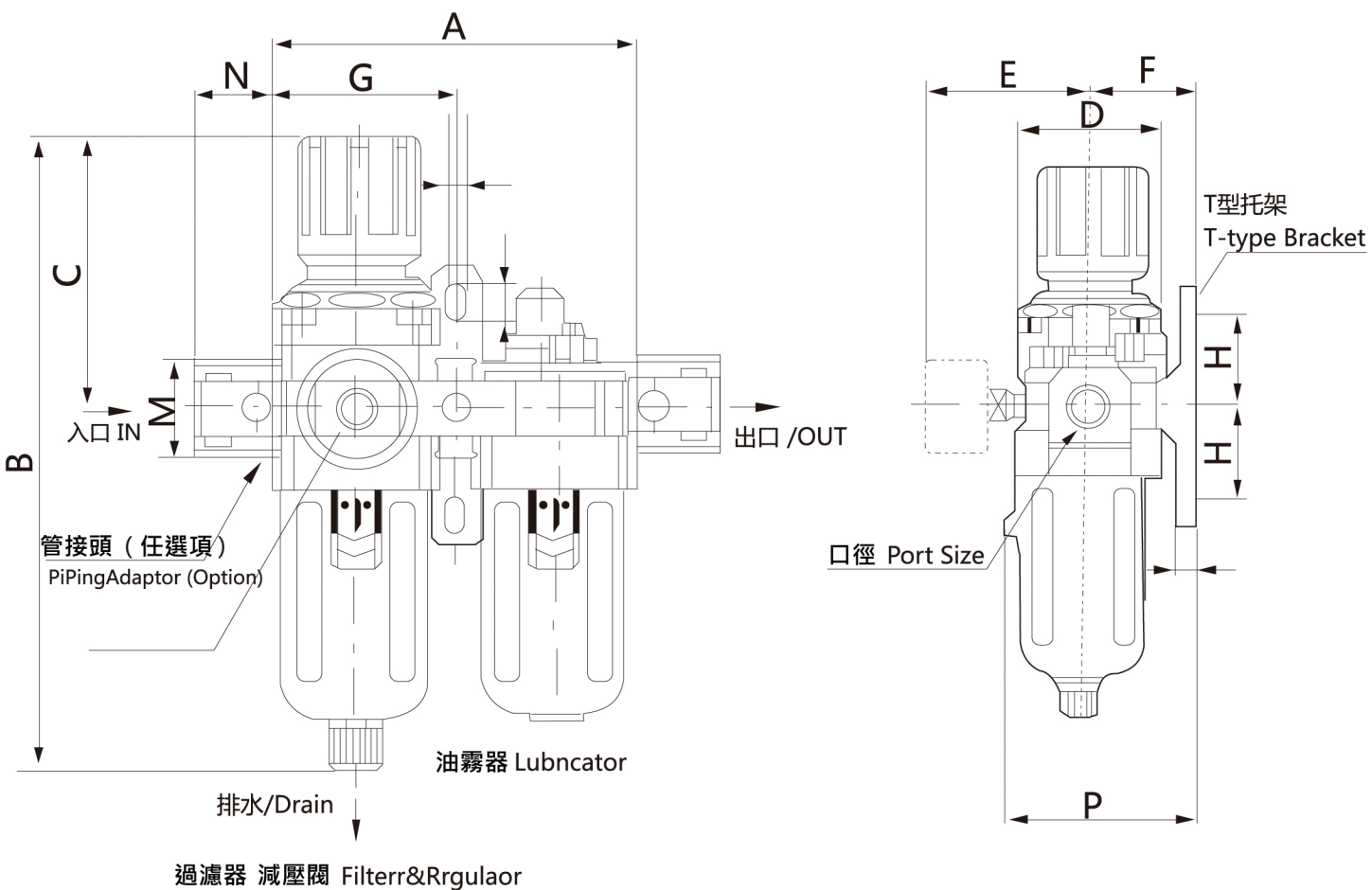
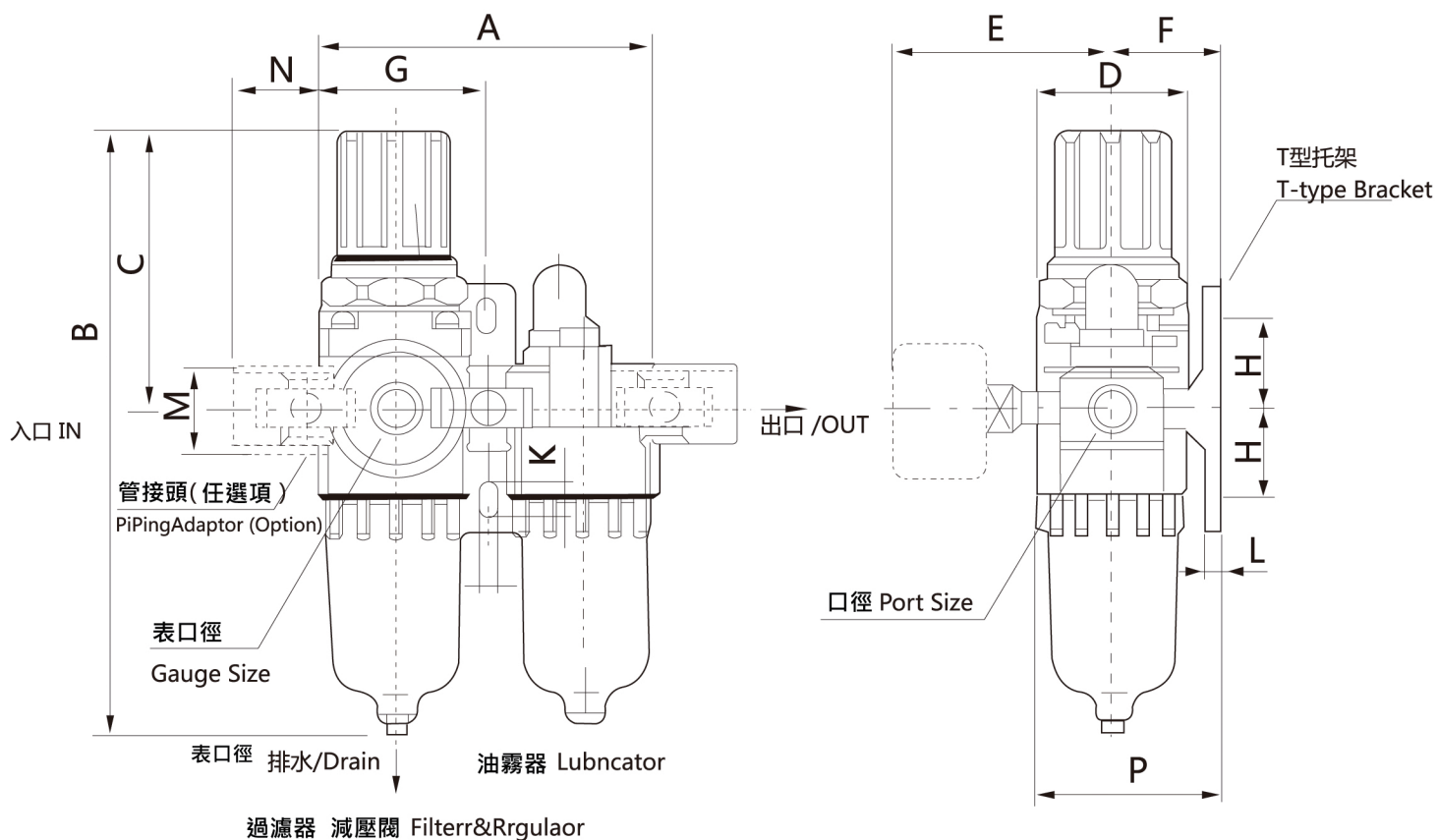


# KAC1010~5010系列氣源二點組合

## KAC1010~5010 Series Air Filter Combination(FR.L Combination)

### 外型尺寸圖 /Overall Dimension Drawing(mm)



尺寸表/Dimension Sheet

型號/Model	口徑 /Port Size G	A	B	C	D	E	F	G	H	J	K	L	M	N	P
KAC1010	M5	58	109.5	50.5	25	26	25	29	20	4.5	7.5	5	17.5	16	38.5
KAC2010	1/8-1/4	90	164.5	78	40	56.8	30	45	24	5.5	8.5	5	22	23	50
KAC3010	1/4-3/8	117	211	92.5	53	60.8	41	58.5	35	7	11	7	34.2	26	70.5
KAC4010	3/8-1/2	154	262	112	70	70.5	50	77	40	9	13	7	42.2	33	88
KAC4010-06	3/4	164	267	114	70	70.5	50	82	40	9	13	7	46.2	36	88
KAC5010	3/4-1	195	338	116	90	75.5	69.8	97.5	50	12	16	10.5	55.2	40	115