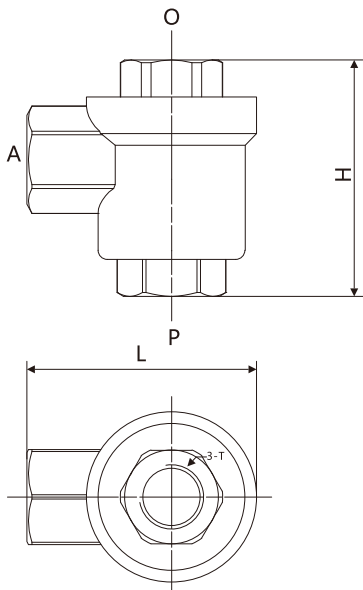
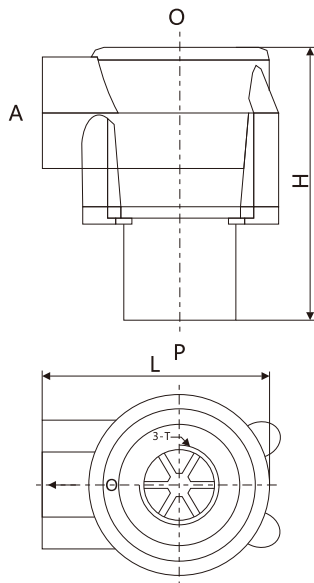


快速排氣閥KXQ系列 / Quick Exhaust Valve KXQ Series

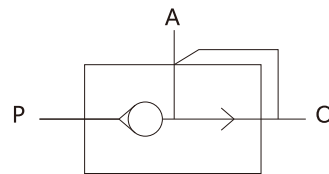
外型尺寸圖 / Overall Dimension Drawing(mm)



KXQ0600/1000/1500



KXQ2000/2500



- P- 進氣口(接換向閥輸出)
- P-In(Connect with change valve)
- A- 出氣孔(接氣孔)
- A-Out(Connect with cylinder)
- O- 排氣口(接消聲器)
- O-Out(Connect with muffler)

尺寸表/Dimension Sheet

型號 / Model	T(接口/Interface)	H(mm)	L(mm)
KXQ0600	G1/8	51	44
	G1/4	51	44
KXQ1000	G3/8	62	61
KXQ1500	G1/2	78	75
KXQ2000-06	G3/4	112	92
KXQ2500-10	G1	112	92